

# ⌘ Benchmark Butterfly Bookmount Instructions

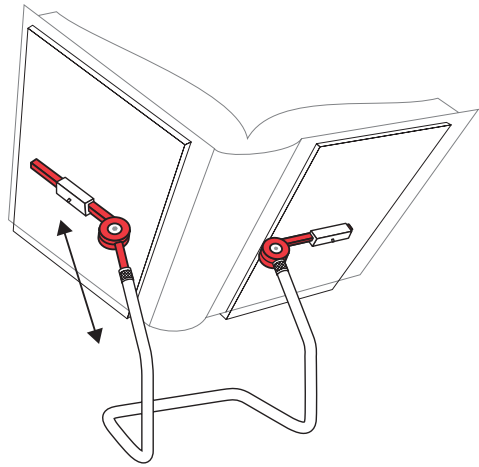


U p r i g h t

The Benchmark Butterfly Bookmounts  
are adjustable in three ways:

1. The Hinge Legs telescope in & out, raising or lowering the height of the Plexiglas Support Plates, giving **full support to the book covers** at any page opening.
2. The Plexiglas Support Plates fan open & closed (hence Butterfly) on the self-locking Hinges, giving support to the book at any **angle of opening**.
3. The Plexiglas Support Plates move laterally, creating an opening for differing **spine thicknesses** on different books.

Together, these three adjustments provide for complete support of a book in any display position.



## 1. Full Support for Both Covers

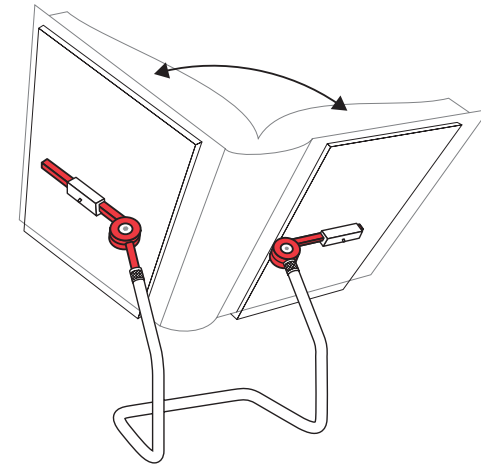
Hinge Legs can telescope in & out from the Brass Base.

Use this adjustment to snug the Plexiglas Support Plates up to the book's covers, giving them complete support.

First, loosen the Brass Nut to allow telescoping.

Set the Hinge Leg to your desired height and then tighten the Brass Nut.

A nylon ferrule inside the Brass Nut will then tighten against the Hinge Leg, holding it in place.



## 2. Setting Angle of Opening

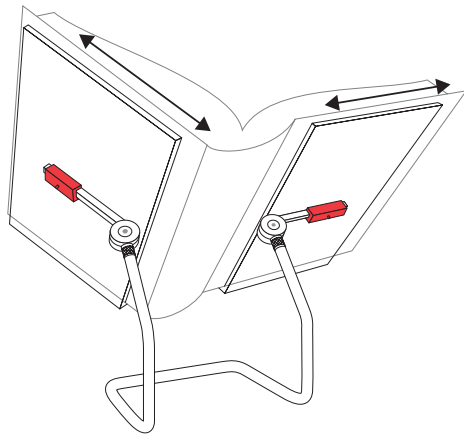
Plexiglas Support Plates can fan open & closed, just like your book.

The Hinges are pre-set with enough tension to – in most instances – stay at the angle you put them at.

Very heavy volumes may require more tension to hold the angle you set.

To increase the tension, use the small Allen wrench (included) to tighten the stainless steel screws in the centers of the Hinges.

Note: Moving the Plexiglas Support Plates only from their outside edges when you butterfly them may exert enough leverage to stress the glue joint on the Plexiglas Clamps. We advise having your fingers over the clamps when making this adjustment, especially if you've tightened the tension on the Hinges.



### 3. Adjusting for Spine Thickness

Plexiglas Support Plates can slide in and out on the Hinge Arms.

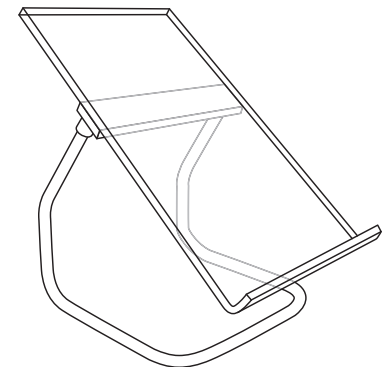
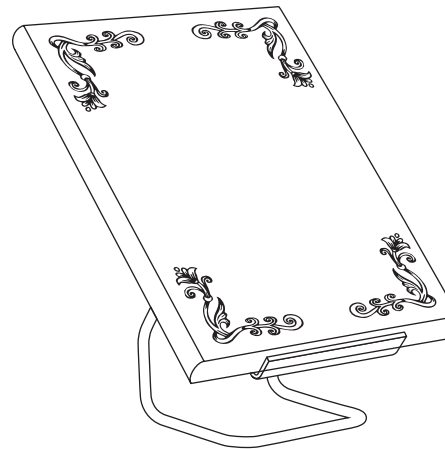
Use this adjustment to allow open space between the two Plexiglas Support Plates, in which the spine of the book can fit freely.

The Plexiglas Clamps have a Nylon Set Screw that puts slight pressure on the Hinge Arm so the Support Plate can slide easily yet stay where it is placed. For extreme angles of display, it may be necessary to tighten this set screw slightly. This can be done with a nail file.

## Other Options, Other Ideas

### Cover-Only Display

This is another option for the Upright Bookmounts. If you already have a two-plate Upright and now need to display only your book's cover, order a Cover-Only Plate in your proper size. To assemble, remove the two Plex Support Plates. Then remove the two Brass Hinges from the Brass Base of your Upright. In their place, insert the Brass Spanner that comes with the Cover-Only Plate, put the Plex Cover-Only Plate in place and you are set to go. If you do not have a two-plate version of the Upright to modify, you can buy a Cover-Only Upright complete in its own right.



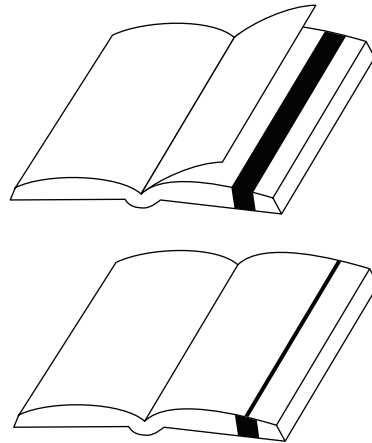
## Polyethylene Strap

We recommend the use of our Polyethylene Strap to hold down springy pages. Our Poly Strap is soft and kind to book pages.\* It can be taped to itself to make a loop around just the book – making certain, of course, that the tape stays clear of the book in any way. Or a length of strap can go around both the book and the Plex Support Plate, with both ends taped to the back of the Plate.

When you need extra hold, use the 2" wide strap on the page just under the one on display. Then go around the entire package, including the page on view, using the 3/8"w. or the 3/16"w. strap. This way, only the thinner strap will show.

The Poly Strap can also be used to help support a spine that is not in good condition by using the Strap to bridge the divide between the two Plex support Plates. Tape two lengths of 2" Poly Strap to the back of one Plex Plate, drape them over the front, across the open space between the Plates and over the second Plate. Place the book on the mount and gently pull at the 2" Poly Strap until it is snug against the book's spine. Tape in place around the back of the second Plex Plate.

\* It is an unhappy fact that the crisp sharpness of mylar, unless buffered by an oversized piece of matboard, can actually cut the edges of pages that strain against it.



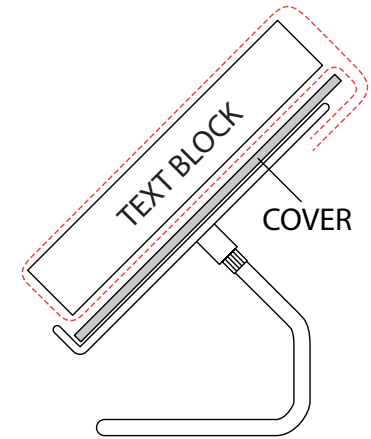
## Use the Poly Strap to deter Text Block Drag!

Text Block Drag is caused by the weight of the unsupported pages pulling on the spine. This puts uneven stress on the construction of the book, distorting pages and straining the spine.

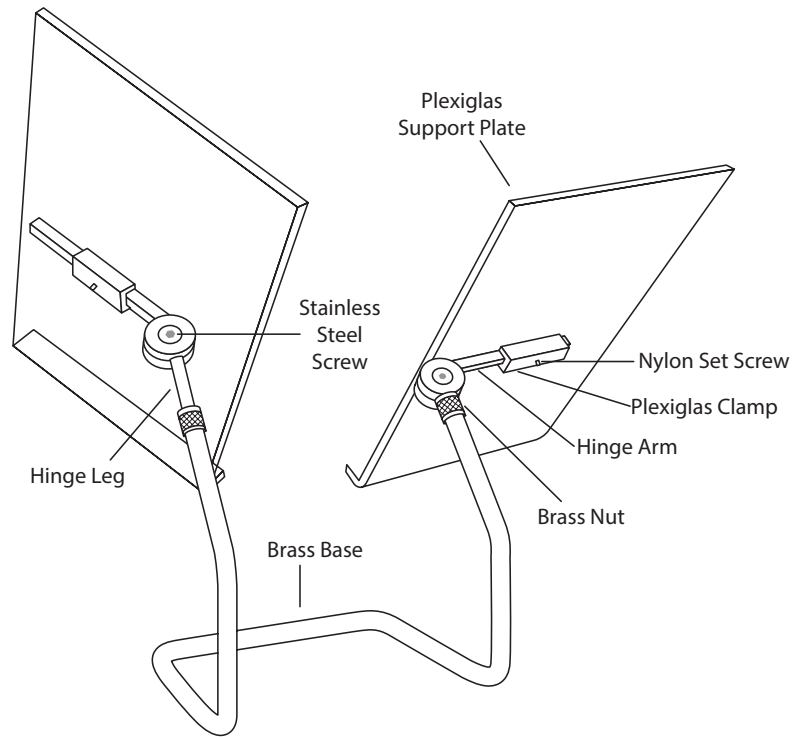
**To overcome this problem, we recommend the Mowery Sling:**

Tape a length of strap to the back of the Plex Support Plate, near the top. Place the book on the Bookmount. Move the text block out of the way, exposing the inside of the book's cover.

Bring the strap down across the inside of the cover, then position the text block for display, bringing the strap up and over the text block to the back of the Support Plate. Secure with tape. This completes the sling. You can do this with a double strap (2" for the bulk of the pages, thinner for the top page), just as described above.



## Diagram of Parts



## To Re-assemble the Brass Hinges onto the Brass Base:

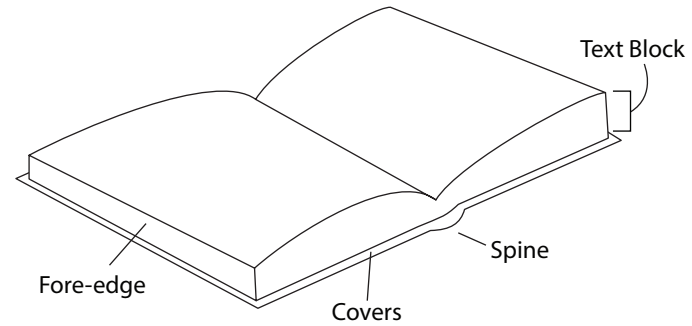
Whenever the Hinges are taken out of the Brass Base, re-assemble like this: first, take the Brass Nut off the Brass Base, being careful not to lose the nylon ferrule concealed within. Put the Nut on the Hinge Leg.

Put the ferrule on the table and can-opener the end of the Hinge Leg into the ferrule.

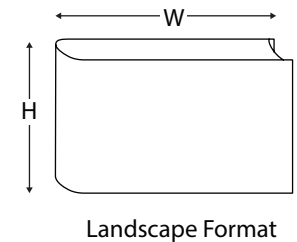
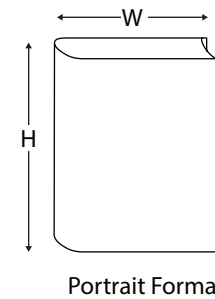
Slide the ferrule a little way up the Hinge Leg. Then put the Hinge Leg in the Brass Base and tighten the Brass Nut.

The Hinge Leg has a D-section profile that matches the D-section profile where the Hinge inserts into the Brass Base.

Make sure those D-sections are matched and you will have the correct orientation for the Hinges.



## Book Terms



## Benchmark Catalog

P.O. Box 214 Rosemont, New Jersey 08556 U.S.A.

Ph: +609.397.1131 Fx: +609.397.1159

www.benchmarkcatalog.com